



Ahead Cell Technology Co.,Ltd

Bobbin Cell

Primary Lithium Battery

ER2450 3.6V 0.5Ah

**3.6V Primary lithium-thionyl chloride
(Li-SOCl₂) Energy Type**

For low drain/long term operating applications requesting superior voltage response in -55°C ~+85°C environments

Alternative models TL-2450

Electrical characteristics

(Typical values relative to cells stored for one year or less at +30°C max.)

Nominal capacity 0.5Ah
(At 0.5mA +20°C, 2.0V cut off. The capacity restored varies according to current, temperature, cut off)

Open circuit voltage (At 20°C) 3.66V

Nominal voltage (At 0.5mA +20°C) 3.6 V

Max. continuous current (at +20°C) 5mA

Typical Max. Pulse current (at +20°C) 10mA

Pulse capability: Typically up to 10mA (10mA/0.1second pulses drained every 2min at 20°C from cells with 10µA base current, yielding voltage readings above 3.0V. The readings may vary according to pulse characteristics, temperature and cell's previous history. Fitting the cell with a capacitor may be recommended in severe conditions. Consult ACT if necessary)

Storage (recommended) +30°C Max

Operating temperature range
(High and low temperature will lower the capacity and load voltage.) -55°C ~+85°C

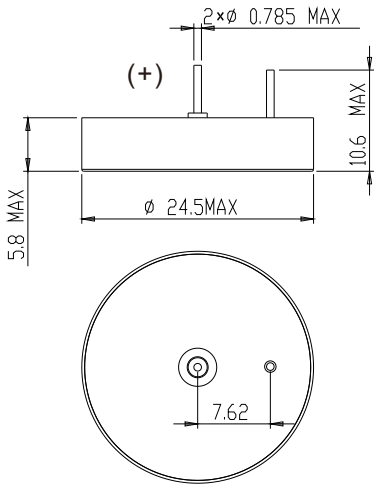
Physical characteristics

Diameter(Max) 24.5mm

Height(Max) 5.8mm

Typical weight 10g

ER2450



Key features

- >High and stable load voltage
- >Superior drain capacity
- >Low self-discharge rate
(less than 1% after 1 year of storage at 20°C)
- >Stainless steel container
- >Hermetic glass-to-metal sealing
- >Laser welding
- >Non-flammable electrolyte

Main applications

- >Radiocommunication and other military applications
- >TPMS
- >RFID
- >Alarms and security systems
- >Beacons and emergency location transmitters
- >GPS equipment
- >Metering systems
- >Led lighting applications
- >Others

Storage

- >Cells should be stored in a clean & dry (less than 30% RH) area
- >Temp. should not exceed +30°C

Warning

- >Do not use if cell casing is mangled
- >Do not use different model of cell in series
- >Soldering the tag should be finished in few seconds
- >Do not try to recharge

